

LED PAR CAN

ITEM NO.: **LED-PAR64, PAR56**

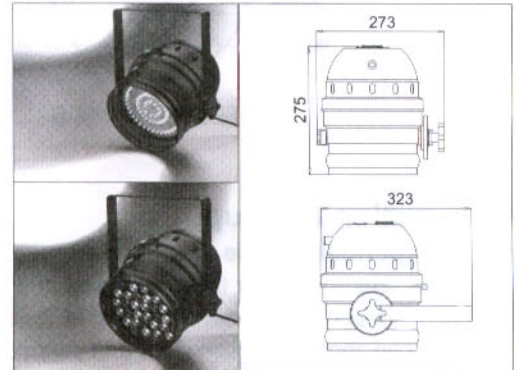
INSTRUCTION OF LED-PAR64, PAR56-A,B

This product is mainly used for disco platform, party and some entertainment. The light projecting distance is 10~20m. It can work by independent mode and DMX mode, which can generate various color and charming effects, such as flashing, fading, jumping, steady based on mixture of R, G, B.

A. Technical Parameters

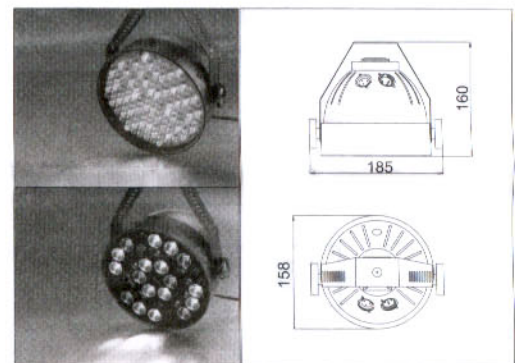
■ LED PAR 64 CAN

	φ 8mm LED	Power LED(1W)
Material of shell:	aluminum alloy	aluminum alloy
Weight:	1.8kgs	3.2kgs
Rotary Angle:	180°	180°
Input Voltage:	100V~256V AC	100V~256V AC
Working Volt:	12V DC	24V DC
Working Current:	0.06A	0.2A
Protection:	IP20	IP20



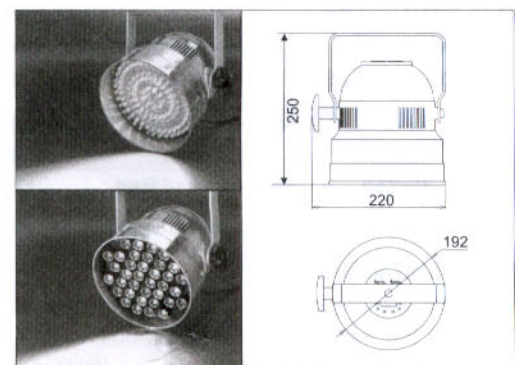
■ LED PAR 56 CAN-type A

	φ 8mm LED	Power LED(1W)
Material of shell:	iron	iron
Weight:	1.1kgs	1.2kgs
Rotary Angle:	180°	180°
Input Voltage:	100V ~256V AC	100V ~256V AC
Working Volt:	12V DC	24V DC
Working Current:	0.06A	0.2A
Protection:	IP20	IP20



■ LED PAR 56 CAN-type B

	φ 8mm LED	Power LED(1W)
Material of shell:	aluminum alloy	aluminum alloy
Weight:	1.2kgs	2.5kgs
Rotary Angle:	180°	180°
Input Voltage:	100V ~256V AC	100V ~256V AC
Working Volt:	12V DC	24V DC
Working Current:	0.06A	0.2A
Protection:	IP20	IP20



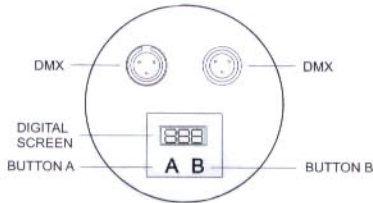
Model No	LED Qty	Color	Power Consumption	Beam Angel	Project Distance	✓
LED-PAR64-189	189 LED	R-69, G-57, B-63	18Watts	15°	10m	
LED-PAR64-36P	36 Power LED	R-12, G-12, B-12	60Watts	15°/30°/45°	20m/10m/7m	
LED-PAR56-A-156	156 LED	R-58, G-46, B-52	15Watts	15°	10m	
LED-PAR56-A-18P	18 Power LED	R-6, G-6, B-6	30Watts	15°/30°/45°	20m/10m/7m	
LED-PAR56-B-189	189 LED	R-69, G-57, B-63	18Watts	15°	10m	
LED-PAR56-A-36P	36 Power LED	R-12, G-12, B-12	60Watts	15°/30°/45°	20m/10m/7m	

LED PAR CAN

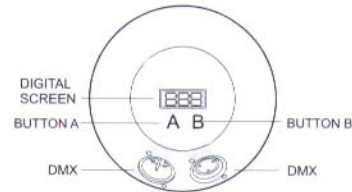
ITEM NO.: **LED-PAR64, PAR56**

B. Working Mode:

(1) Independent mode; (2)DMX mode; (3)Master/Slave mode



LED-PAR64/56-B



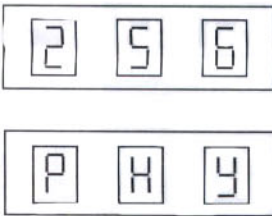
LED-PAR56-A

C. Function & Setup

C-1 Independent mode

After pressing **A** four times (the first three times is the setup on DMX address) or **B** directly light enter into independent mode; the digital LEDs shows **PXY**, press **A** once, active digital LEDs moves backward, you can choose function via **X** and parameter via **Y**; Press **B**, the corresponding flash digital LED increase one bit (range: 1~9) ;

X refer to functions (the value between 1 to 9), **Y** refer to value of speed and gray degree for the functions (the value between 1 to 9)



Function and parameter form:

X value	Y value
1-static red	1~9 class gray degree
2-static green	1~9 class gray degree
3-static yellow	1~9 class gray degree
4-static blue	1~9 class gray degree
5-static purple	1~9 class gray degree
6-static cyan	1~9 class gray degree
7-static white	1~9 class gray degree
8-multicolor changing	1~9 class speed
9-multicolor fading	1~9 class speed
A-multicolor flashing	1~9 class speed

C-2 DMX mode

When pressing button, please wait for about 10 second, then you can exit the mode of adjustment function, the digital LED stop flashing and data recorded.

CHANNEL 1		CHANNEL 2		CHANNEL 3	
Data	Function	Data	Function	Data	Function
0~255	Brightness of Red	0~255	Brightness of Green	0~255	Brightness of Blue

*** Enter or quit DMX mode automatically once detecting valid signal!!!

C-3 Master/Slave mode

Choose any one light as the master for attaining auto online function, the operations are as below: firstly, set the address of master as 001, others are set as slave (address can be any one except 001) ; Change function of the master (001) light, then all lights will work synchronously;

Caution:

1. Do not plug them into power when the product is still in package;
2. Don't use anything to cover the fixture during application;
3. Make sure the ground connection well avoid electric shock, due to metal housing.
4. Don't use this product in close environment;
5. If this product appears to be damaged, do not attempt any repair, please contact your dealer.