

HW-PAR3010W (Par30 ,10W, made by Multi-chip LEDs)

HW-PAR3010W is a new product , made by advanced semi-conductor technology. This is the 4th generation light source, highly focused by the market, so it is a trend that the LED will replace other light source in future.

Features:

New type of Green light source. As a cool light source, no flicker, no radiation, no infectant gas, saving energy 60% -70% compared to incandescent and fluorescent light. Long life-span 30,000-50,000 hrs.

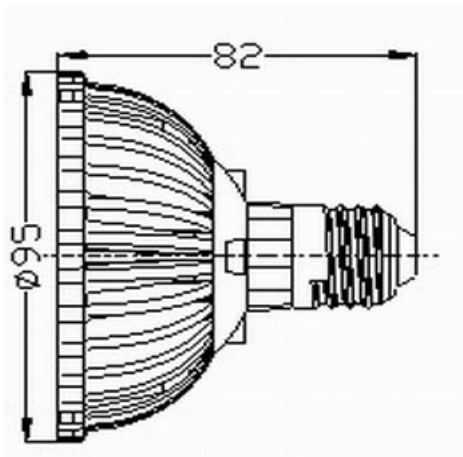
As the LED is driven by constant current DC, so there is no glitter. No eye fatigue while lighting.

It is made with multi-chip single LED, so the light is more powerful, even more than normal Par30 made with *1W LEDs.

It has a wide-range of voltage input, with a base of E27,E26 , which is suitable for different countries, convenient to replace traditional lights.

1. Electricity Parameter

Item No.	Color	CCT	Lumens	Power	Base
HW-PAR301*10WPW	Pure white	5000-6000K	500—600LM	1*10W	E27
HW-PAR301*10WWW	Warm white	2700-3500K	400—500LM	1*10W	E27

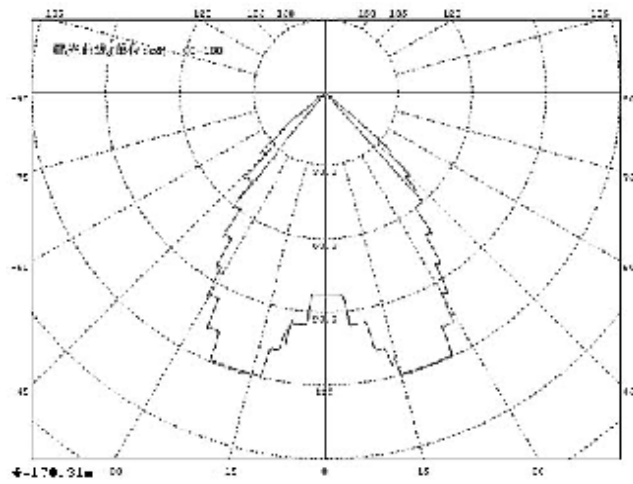


Demension drawing(unit:mm)

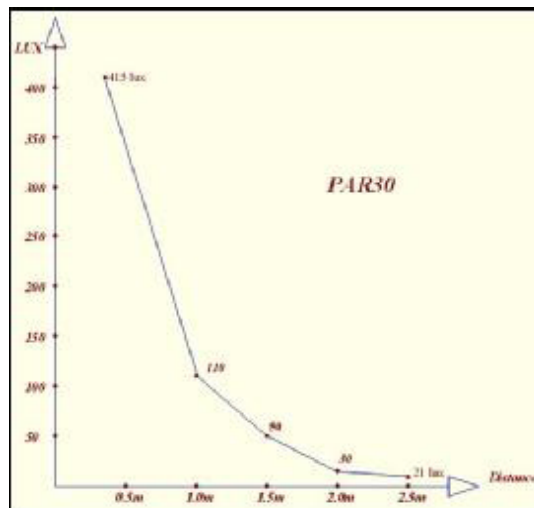


Real Photo

2. Spectrogram (polar coordinates)



3. Illuminance flux and distance



4. Life-span testing

- 1>: High-low temperature circular test: -40—60, 20hrs
- 2>: Full power lighting 1000 hrs continuously.
- 3>: Full power electricity shock, 1000 times (5 minutes per time)

5. Application

