



RGB Waterproof 9LEDs Module adopts 3 groups of RGB LED as its luminous body which is of high intensity and large beaming angle. The chips of the LEDs are from famous international company. RGB LEDs are set evenly in the letter "A" style on the PCB board with wires coming out from its top.

This product has good ability of heat-sinking due to the large scale copper paved on double face of the PCB board. ABS Engineering Plastic Housing glued with epoxy not only makes the product wholly waterproof (IP 67) but also keeps it being of great ability of UV resistant.

It can be controlled by IMG-DMX 512 to realize the effects of multi-color jumping, gradual color changing, etc. It also can realize whole color changing when controlled by IMG-CT308. This product can be widely used both indoor and outdoor, such as indoor decoration, small floodlight, signs, logos, cove lighting, edge decoration,etc

RGB Waterproof 9LEDs Module

Part No.:IMG-M3RGB-CF



Green , Energy Saving.

Low voltage, DC 12V, High brightness.

Conforming to international standard.

Absolutely safe and stable.

Save 90% electricity compared to traditional lights.

Specification :

Size : 90*21*8.8mm

Weight : 20g

Beaming Angle: >120°

Electrical specification :

IP Class : IP67

Input Voltage : 12VDC

Power Consumption : 0.72W/PC

Power Supply : Waterproof 30W-12V-2.5A;

60W-12V-5A ; 150W-12V-12.5A

Non-waterproof 55W-12V-4.6A,

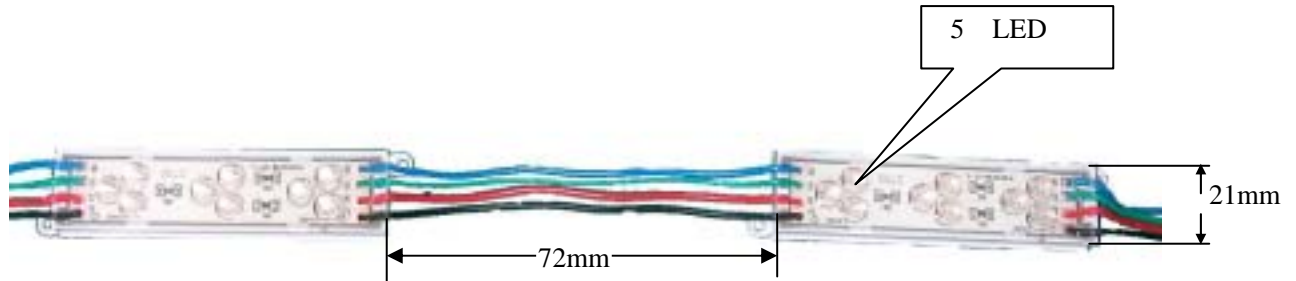
150W- 12V-12.5A ; 300W-12V-25A

Longevity of Luminous Body :

All LED lights adopt super bright LED as their luminous body. Theoretically, the longevity of LED could be 50,000-100,000 MTBF (Mean Time Between Failure: average fault-free time, the standard usually measured by manufacturer of traditional lights). Like traditional lighting products, the lumen of LED will also decrease as time goes on. LED lumen is influenced by environmental factors such as temperature, humidity, and ventilation condition. It also could be impacted by its design on heat sinking, current control, etc. To some extent, these factors are the main ones on LED longevity.

Diagram

Top View



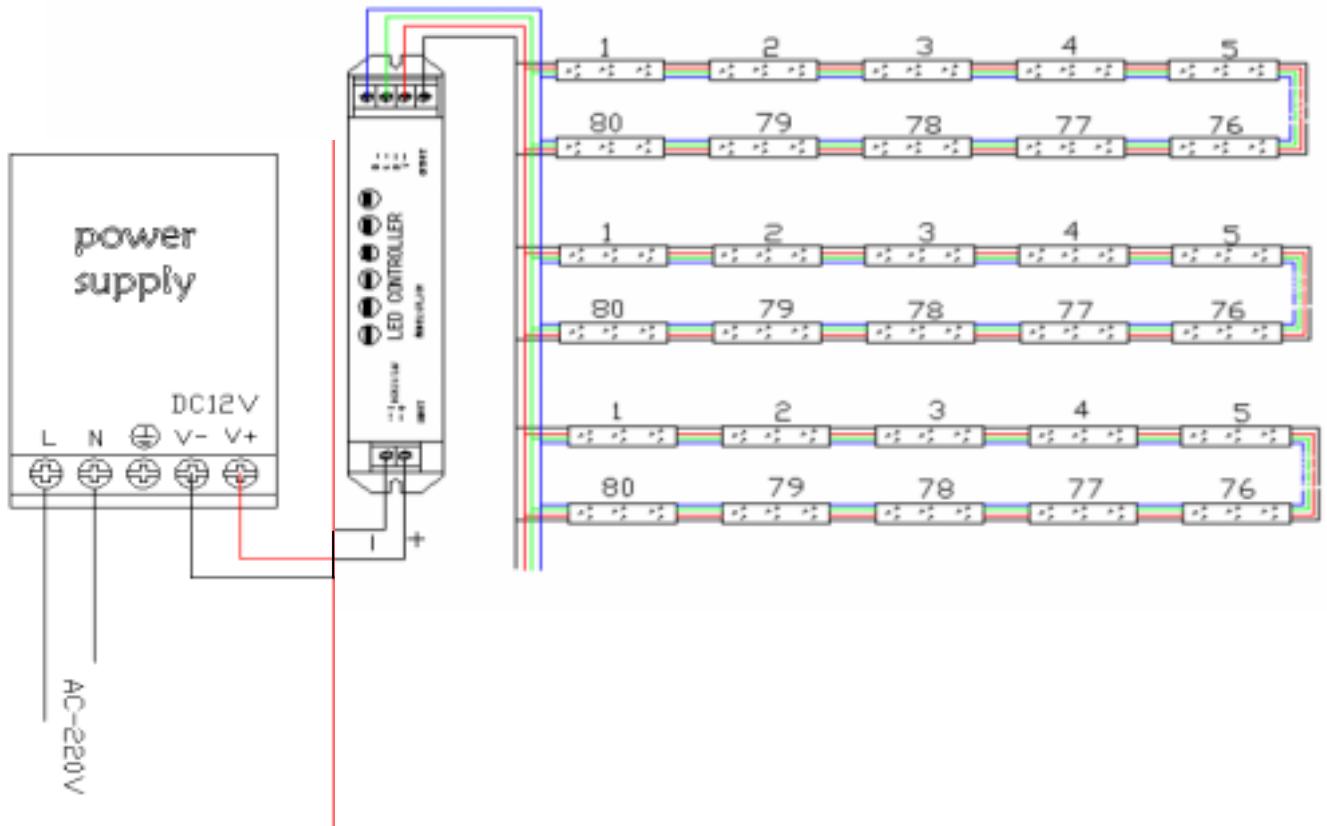
Side View



Top-Side View



Connecting Diagram



Each 80pcs make one loop, and each controller can connect 3 loops (240 pcs) Module.



ATTENTION

To ensure the longevity and stability of RGB Waterproof 9LEDs Module ,please do not hit or beat the module forcibly.



WARNING

- * Do not touch INPUT PORT when power is on.
- * Please leave 20% power free to protect the brightness of module from being influenced by environments.
- * Install this module at desired installation spot.
- * Please note the negative and positive polarity when you link wires of power supply to avoid short circuit.
- * Make sure the output voltage of power supply is of the same with module's operating voltage.